

ENGINEERED PRE-SEPARATOR PACKAGES FOR PAPER MILLS

## NASH® NK Pre-Separator Packages

Developed as part of Nash's closed seal water circuit and heat recovery program for the Paper Industry, the NK series of separator packages are efficient, reliable and simple in design and operation.

With low NPSH pumps, the NK Pre-Separators are ideal for bottom felts and anywhere barometric legs are impractical.

Internal separator features ensure high separation efficiency (tests show above 99.8%), which is important if seal water is recirculated through heat exchangers and cooling towers, or re-used on machine felt/fabric showers.

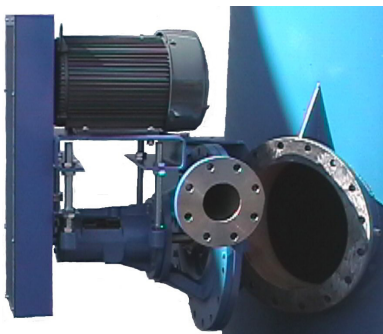
- Maximum Separation Efficiency
- Minimum Floor Space
- Low Maintenance
- No Level Controls



## PACKAGE DIMENSIONS

SEPARATOR	A	PUMP									
		1 B	2 B	3 B	4 B	5 B	6 B	7 B	8 B	9 B	
NK-A	in	54	42	42	44	N/A	N/A	N/A	N/A	N/A	N/A
	mm	1375	1070	1070	1120						
NK-B	in	54	48	48	50	50	N/A	N/A	N/A	N/A	N/A
	mm	1375	1220	1220	1270	1270					
NK-C	in	54	52	52	54	54	N/A	N/A	N/A	N/A	N/A
	mm	1375	1325	1325	1375	1375					
NK-D	in	60	58	58	60	60	N/A	N/A	N/A	N/A	N/A
	mm	1525	1475	1475	1525	1525					
NK-E	in	72	66	66	68	68	68	72	72	72	N/A
	mm	1830	1680	1680	1730	1730	1730	1830	1830	1830	
NK-F	in	78	74	74	76	76	76	80	80	80	80
	mm	1985	1880	1880	1935	1935	1935	2035	2035	2035	2035
NK-G	in	90	82	82	84	84	84	88	88	88	88
	mm	2290	2085	2085	2135	2135	2135	2240	2240	2240	2240
NK-H	in	102	90	90	92	92	92	96	96	96	96
	mm	2600	2290	2290	2340	2340	2340	2440	2440	2440	2440
NK-I	in	108	98	98	100	100	100	104	104	104	104
	mm	2750	2490	2490	2540	2540	2540	2645	2645	2645	2645
NK-J	in	114	106	106	108	108	108	112	112	112	112
	mm	2900	2700	2700	2750	2750	2750	2850	2850	2850	2850
NK-K	in	142.5	130	130	132	132	132	136	136	136	136
	mm	3625	3305	3305	3355	3355	3355	3455	3455	3455	3455

All dimensions are approximate.

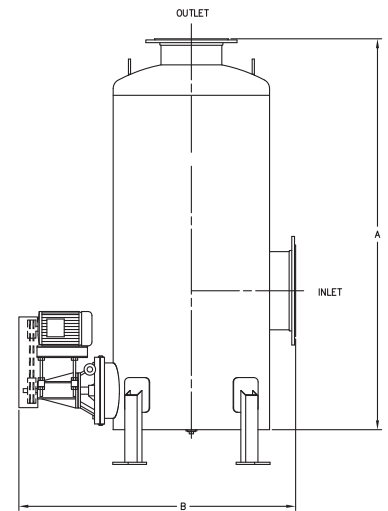
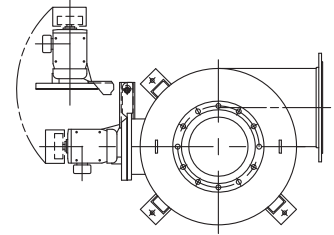


Self-priming pump is designed specifically to operate at vacuum, is flange mounted for simple installation with minimum floorspace. The unit also incorporates a swing-out feature for ease of maintenance.

**Gardner  
Denver**

## MATERIALS OF CONSTRUCTION

Separator	Available in Carbon Steel, 304L SS, and 316L SS
Pump	Available in Cast Iron SS fitted, and all SS



**NASH**

Gardner Denver Nash, LLC

PO Box 130  
Bentleyville, PA 15314 USA  
800-553-NASH  
+1 724 239 1500

[nash@gardnerdenver.com](mailto:nash@gardnerdenver.com)  
[www.GDNash.com](http://www.GDNash.com)

©2017 Gardner Denver Nash, LLC Printed in U.S.A.  
GDN-MB-SEPA-1137- 1st Ed. 04/17



Please recycle after use.