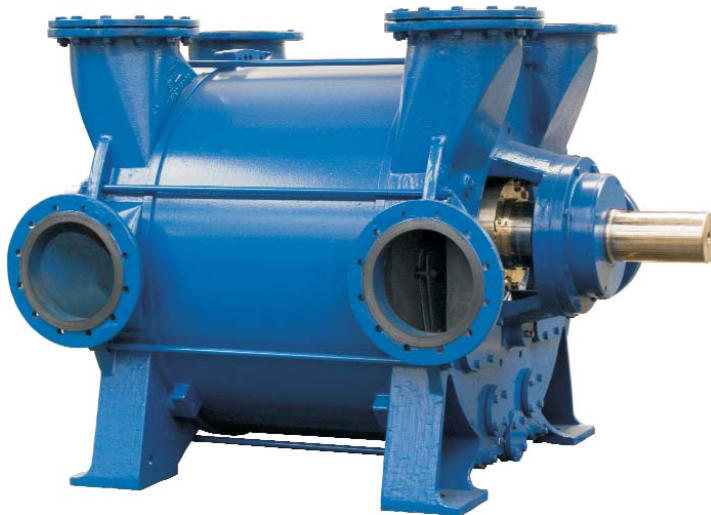


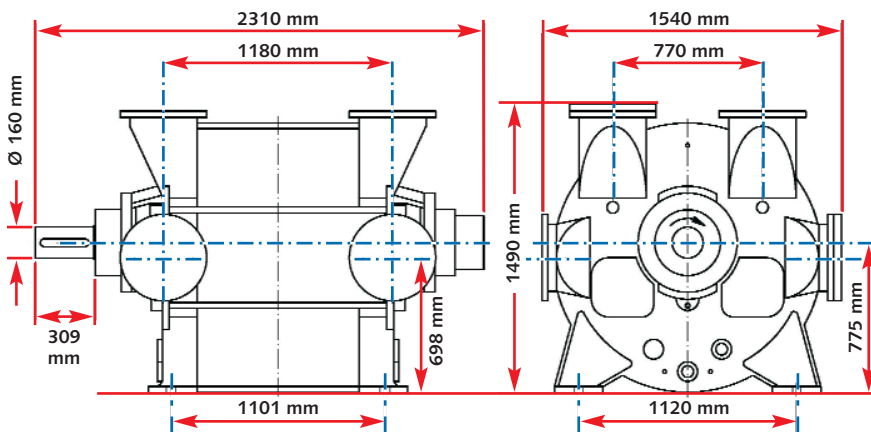
NASH 2BQ1 Liquid Ring Compressor



Liquid ring compressors with high gas flow rates and discharge pressures of up to 3.75 bar abs.

The NASH 2BQ1 590 has a unique performance range. It combines a high gas flow rate (6,000 to 11,000 m³/h) with a discharge pressure range of up to 3.75 bar abs. The isothermal coefficient of efficiency reaches 47%. The performance data of this machine is unmatched by any other liquid ring compressors on the market.

The NASH 2BQ1 is based on the proven, modular NASH 2BE3 series and was developed with improved compressor configuration. Standard 2BE3 components can be used in many areas as a result.

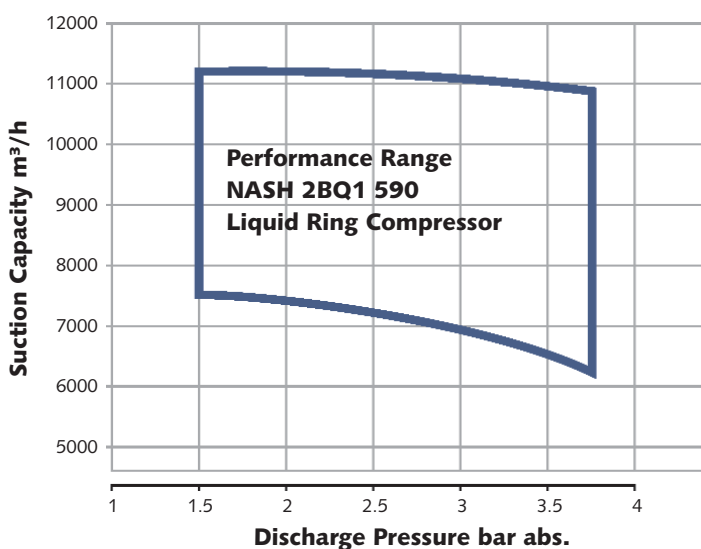


The rotor, drive shaft and bearings were strengthened in order to become capable of withstanding higher pressures. The NASH 2BQ1 is also designed for a wide operating speed range (420 to 611 rpm).

The shaft and housing are manufactured from solid stainless steel, as are the mechanical shaft seals. These make the NASH 2BQ1 the ideal liquid ring compressor for demanding process requirements.

Since every component can be made with application-specific stainless steels, demanding processes can be served. Fields of application include the recovery and compression of hydrocarbons and the compression of hydrogen, chlorine or other process gases.

The NASH 2BQ1 is certified for ATEX.



Technical Specifications NASH 2BQ1 590

Suction Capacity	6,000 - 11,000 m ³ /h
Suction Pressure	0.8 - 1.5 bar abs.
Discharge Pressure	1.5 - 3.75 bar abs.
Materials	Ductile Iron, Stainless Steels

Gardner Denver Nash has many ISO 9001 certifications.



Order-No.: LRP:B-PB114-A1-EN
2.0/10-2009 Printed in Germany
©2009 All Rights Reserved; All data subject to change

Gardner Denver Nash Deutschland GmbH

Katzwanger Straße 150
90461 Nuremberg, Germany
Phone: +49 911 1454-0
Fax: +49 911 1454-6935
nash.de@gardnerdenver.com
www.GDNash.com